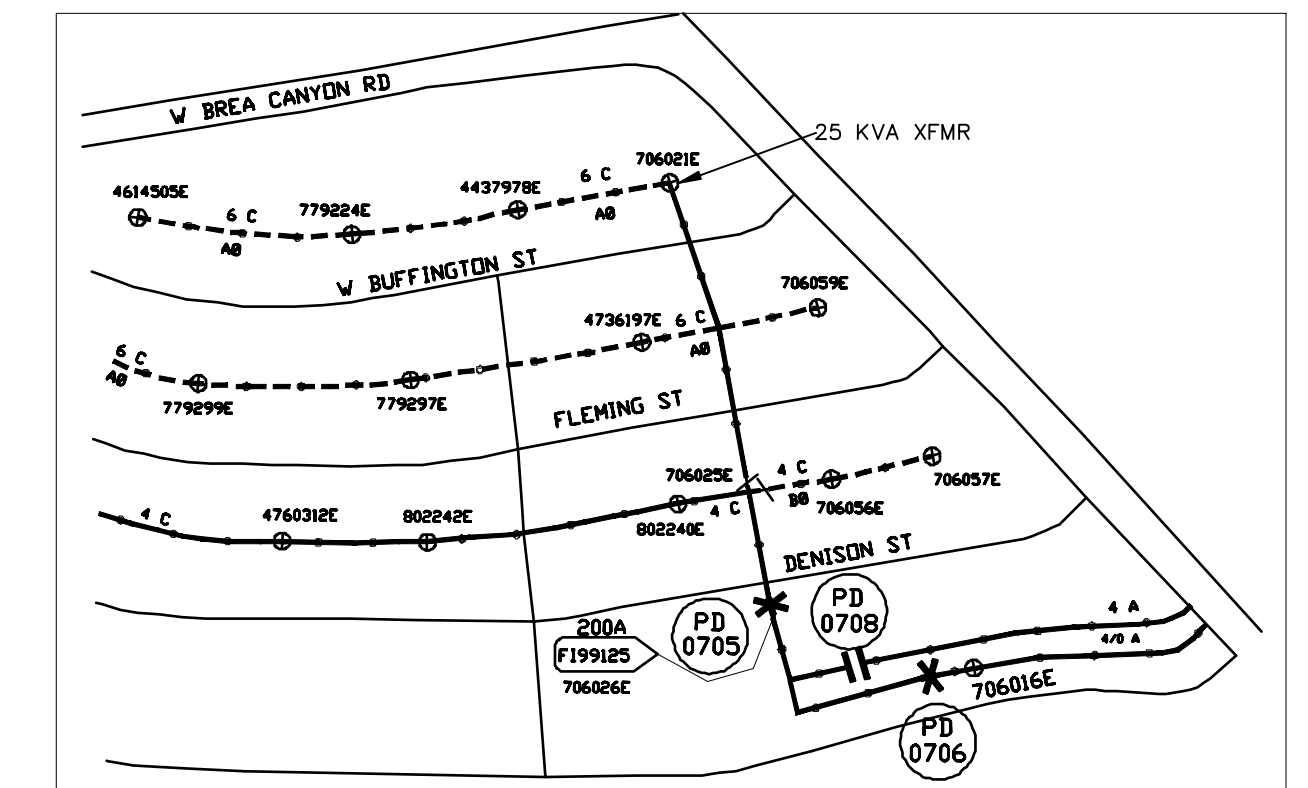


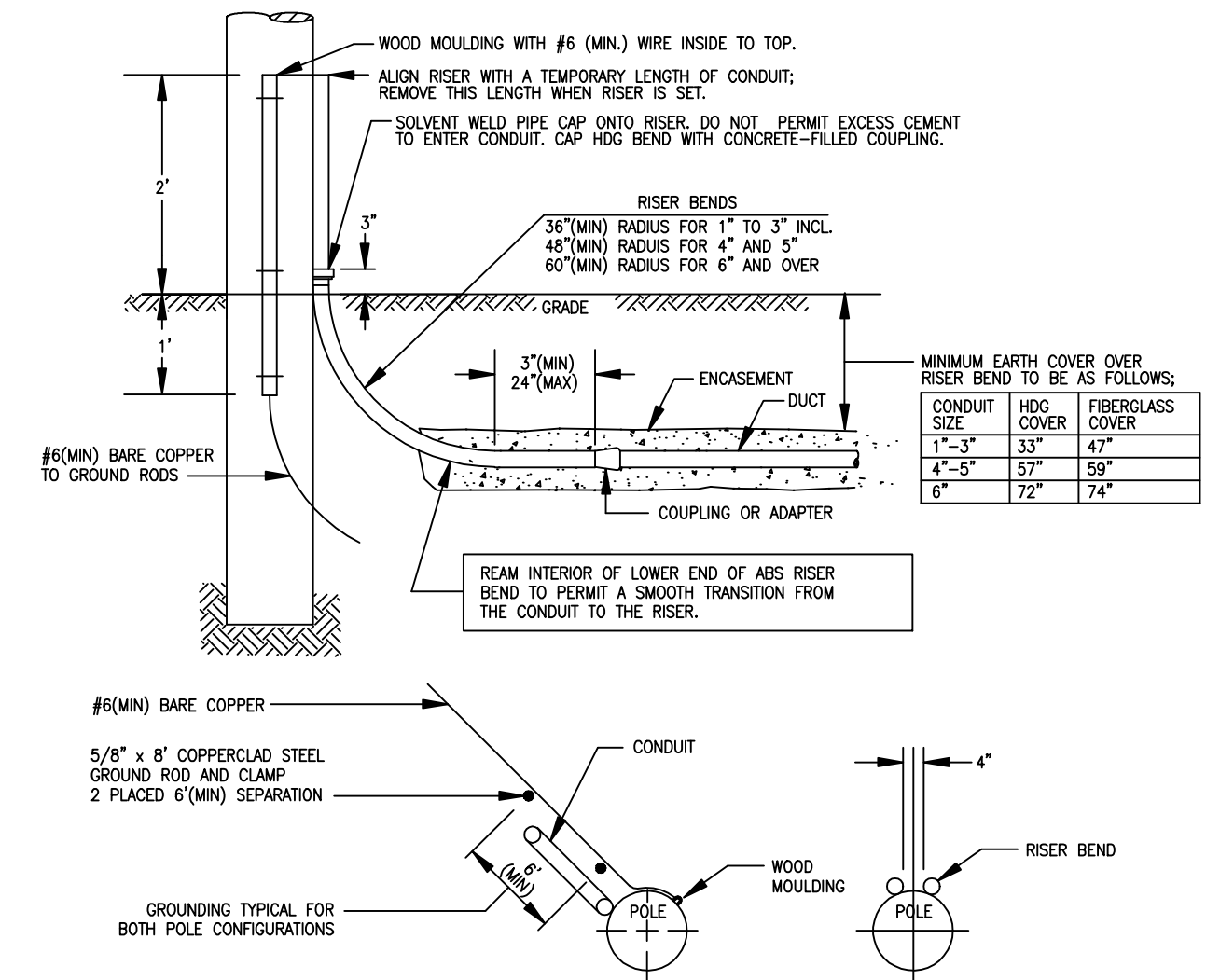
PROPOSED SINGLE LINE
TOWER 4KV O/O GANESHA SUB



CREW NOTES:
REPLACE OVERLOADED 15KVA XFMR ON POLE NO. 706021E WITH NEW 25KVA XFMR. CROSS ARM AND FH'S ARE STILL GOOD.
BUILD 3-2 RISER ON POLE 706021E FOR NEW SERVICE TO PEDESTAL LOCATED AT THE END OF BUFFINGTON ST TO THE SOUTH.
WILL NEED TO PULL IN 194' 1/0 CLP TO FEED NEW METER PEDESTAL.
GOOD TRUCK ACCESS IN VACANT LOT OFF OF BREA CYN RD.
OUTAGE REQ'D / 4 CUSTOMERS
NO TRAFFIC OR PTC REQUIRED.

CUSTOMER NOTES:
CITY TO INSTALL 194' OF 3" CONDUIT FROM POLE 706021E TO NEW PEDESTAL.
CONTACT ROBERT STRAWN FOR UG INSPECTION WHEN READY.

POLE RISER BEND STANDARD LOCATION
SEE UGS CD 160



1. APPROVED RISER BENDS ARE SHOWN ON FOLLOWING TABLE:

MATERIAL	1"	1-1/2"	2"	2-1/2"	3"	4"	5"	6"
LBS	-	-	-	X	X	X	X	X
FIBERGLASS	-	-	-	-	X	X	X	X

NOTE: 6" HDG OR FIBERGLASS RISER BEND SHALL BE USED WHEN SPECIFIED ON THE WORKING DRAWING. SEE UGS AC 702 FOR GROUNDING HDG RISER BENDS.

2. THE TOP AND BOTTOM OF 3", 4", 5" OR 6" FIBERGLASS BENDS ARE FURNISHED WITH PERMANENTLY ATTACHED PVC COUPLINGS. ALSO INCLUDED IS A 6" LONG 3", 4", 5" OR 6" SCHEDULE 80 PVC STUB-OUT, SOLVENT WELDED INTO THE TOP COUPLING. SEE UGS CD 160 FOR FIBERGLASS RISER BEND MATERIAL INFORMATION AND SUPPLIERS.

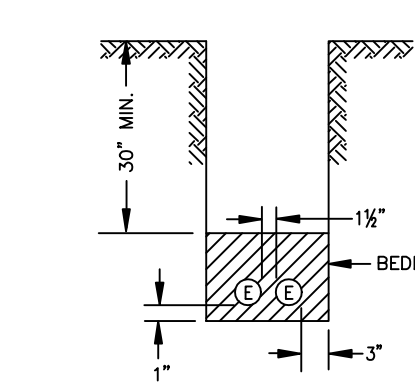
3. TWO GROUND RODS ARE REQUIRED AT ALL PRIMARY RISER POLES. DRIVE RODS IN TRENCH BOTTOM WITH 6" MINIMUM SEPARATION IN UNDISTURBED EARTH. LEAVE THE ROD TOPS 3" ABOVE THE TRENCH BOTTOM AND ATTACH CONTINUOUS GROUND WIRE WITH CLAMPS. EXTEND WIRE TO INDICATED LOCATION ON POLE AND STUB UP 6" ABOVE RISER IN WOOD MOLDING. ALL GROUNDING MATERIALS FURNISHED BY CONTRACTORS. SEE UGS AC 703 FOR APPROVED GROUNDING MATERIALS.

4. ENCASUREMENT REQUIRED ONLY WHEN CALLED OUT ON WORKING DRAWING.

5. PVC RISERS MAY BE SUBSTITUTED FOR FIBERGLASS FOR STRONG FORMS OF 150' OR LESS IN CONDUIT SIZES 4" AND UNDER.

D78: REV. 02/14/11

TYPICAL CONDUIT BANK SECTION
SEE UGS CD 120



CONDUIT RADIUS REQUIREMENTS:
A. The minimum radius for bends are:
36" for conduits 3" in diameter or smaller
48" for conduits 4" and 5" in diameter
60" for 6" diameter conduit
B. The minimum radius for sweeps are:
36" for conduits 3" in diameter or smaller
12'-6" for conduits 4" in diameter and larger, unless otherwise noted.

PROJECT REQUIREMENTS (Y/N)

EDISON EASEMENT REQUIRED	<input checked="" type="checkbox"/>
PWRD 88 REQUIRED	<input checked="" type="checkbox"/>
PERMIT REQUIRED	<input checked="" type="checkbox"/>
PERMIT TYPE:	
OUTAGE REQUIRED	<input checked="" type="checkbox"/>
OUTAGE DATE:	
TRAFFIC CONTROL REQUIRED	<input checked="" type="checkbox"/>
PED. TRAFFIC CONTROL REQ'D	<input checked="" type="checkbox"/>
CONVEYANCE LETTER REQ'D	<input checked="" type="checkbox"/>
ENVIRONMENTAL CLEARANCE REQ'D	<input checked="" type="checkbox"/>
CSD 140 (TLM) REQ'D	<input checked="" type="checkbox"/>

TOWER 4KV O/O GANESHA SUB
MSR# 7914975

DISTRICT 226 - COVINA	PLANNER MORENO, JOSEPH	PHONE 909-394-3829	DESIGNER OLMOS, BARBARA
PROJECT NO. 1444259	SERVICE REQUEST 2358508	MSR NO. 7914975	PROJECT-1 1281802-NEW METER & SERVICE
CORRECT VOLTAGE TOWER 4KV	PROJECT-2 640-F-2	THROW GUIDE 640-F-2	PROJECT-3
SUB 7 PG NO. GANESHA SUB	CIRCUIT CODE	PROJECT-3	
INVENTORY MAP 132-4353-1	J.P.A. NO.		
F 7/11/2017	G. KLOOK	J. MORENO	B. QMOS 43792
F 6/22/2017	G. KLOOK	J. MORENO	B. QMOS 43792
TYPE	DATE	APPROVED BY	CHECKED BY
Southern California Edison Company			

PROPOSED CONSTRUCTION (LOCATION)
CITY OF POMONA PED/R16
1723 1/2 BUFFINGTON ST
POMONA, CA 91769

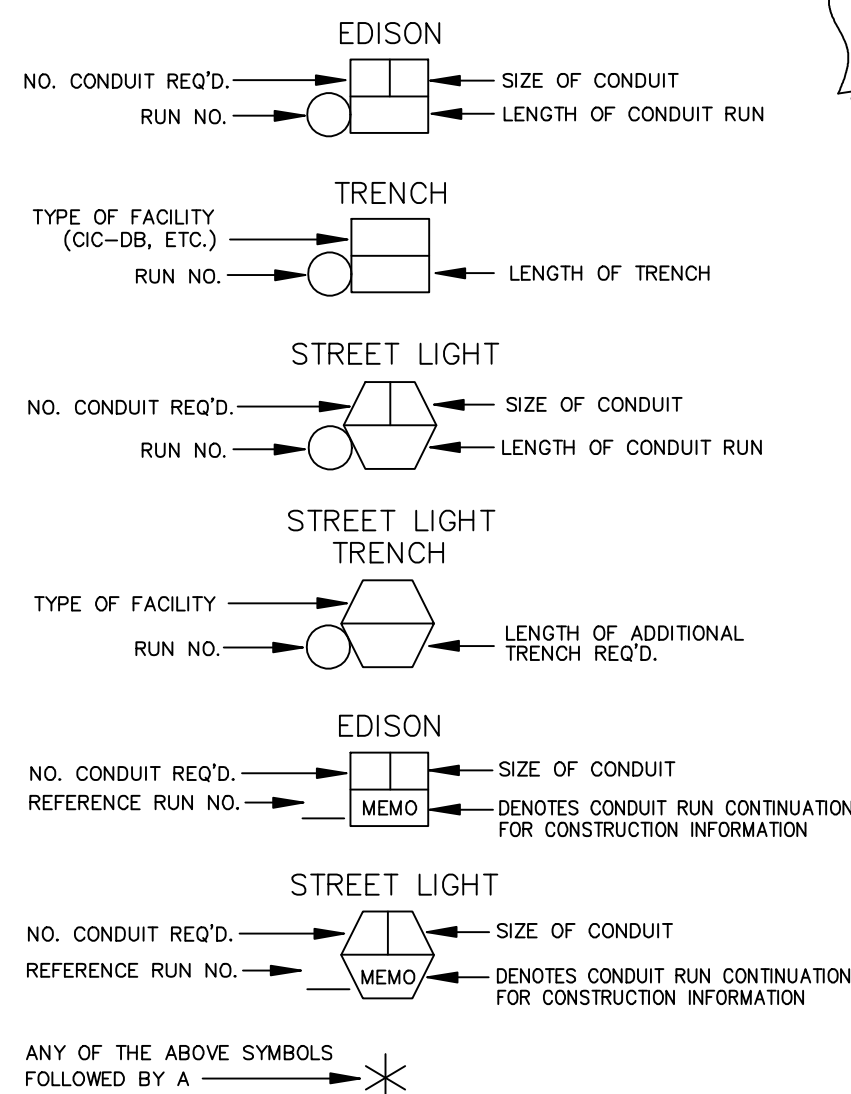
SCALE: 1" = 50'

SHEET 1 of 1 DESIGN DRWG NO. 937394_0.01

CONSTRUCTION NOTES:

- Unless otherwise specified on the working drawing which forms a part of the specification, the Contractor/Developer shall furnish the following items at cost to the Edison Company.
- Southern California Edison Company has attempted to correctly show all existing utilities and substructures in the vicinity of the work, but does not guarantee there are no other substructures in the area. Failure of SCE to show all substructures in their correct location will not be a basis for a claim for extra work, and the contractor shall be responsible for all damages to substructures whether shown or not.
- FOR GENERAL SPECIFICATIONS SEE UGS GI 001.
 - CONDUIT:
 - Minimum cover in street or parkway is 30" below gutter grade, unless noted otherwise.
 - Minimum cover on private property is 30" below finished grade, unless noted otherwise.
 - Contractor is to furnish and install approved conduit to Edison specifications per UGS CD 100.1, 110 AND 120.
 - For the type of conduit for this job, See UGS CD 110.1.
 - Install all risers per UGS CD 160, 161, 162 and 170.
 - Cap all machine conduits per UGS CD 148 and review conduits per UGS CD 150.
 - Install blank conduit plugs in all conduits terminating into Vaults, Manholes, PMH's, SOE's & all cap locations, per UGS CD 180.1 & UGS CD 180.2.
 - Install pull rope in all conduit runs. Pull rope to be at least 3/8" polypropylene rope, braided or twisted. For specifications, approved makes, and suppliers, see UGS GI 040.
 - All conduit must be marked with the approved marked UGS CD 197.
 - CONDUIT RADIUS REQUIREMENTS:
 - The minimum radius for bends are:
36" for conduits 3" in diameter or smaller
48" for conduits 4" and 5" in diameter
60" for 6" diameter conduit
 - The minimum radius for all machine conduits is 12'-6" (unless noted otherwise).
 - EXCAVATION AND BACKFILL:
 - Work area shall be cleared and rough graded to within four inches of final grade prior to installation of Edison conduit or structures.
 - All excavations shall be in accordance with the California State Construction Safety Orders (when applicable), Edison specifications, and all governing local ordinances.
 - Each trench to be a uniform depth below final grade prior to installation of Edison conduit or structures.
 - Backfill shall be provided by the Contractor for all excavations and shall include crushed rock, concrete, and/or imported backfill, when required.
 - Backfill with a MINIMUM of one rock per yard sand cement slurry around and over vaults and manholes per UGS GI 030, section 6.4 and around PMH's within one foot of finished grade, per UGS SS 580.1.
 - Backfill, per Edison specifications, shall immediately follow conduit or substructure installation. At no time shall conduit be left exposed over 24 hours.
 - No rocks are allowed within 12 inches of direct-buried cables or any conduit without concrete encasement. The backfill capable of passing through a one-half inch mesh screen shall be considered to be "rock free". If existing backfill does not pass through a 1/2" screen, place imported sand 3" below and 12" above Edison cables. After this point, no rocks larger than 12" diameter are permitted.
 - All backfill shall be compacted to meet or exceed local ordinances or other requirements. It shall be placed in a manner that will not damage the conduit or substructure or allow future subsidence of the trench or structures.
 - PAVING:
 - Regrading, where required, shall be placed in such a manner that interference with traffic, including pedestrian traffic, will be kept to a minimum. The Contractor shall establish a program of regrading acceptable to the Municipality, County, or other authority having jurisdiction and which is acceptable to Edison.
 - STRUCTURES:
 - All substructures shall be constructed or installed to Edison specifications.
 - Install protection barriers per UGS MS 820 which shall be completed and markers or signs placed prior to the start of the installation. In addition, Developer shall maintain the markers during the installation and inspection by Edison.
 - All conduit lines and concrete floored substructures shall be water tight.
 - All grounding materials shall be furnished and installed by the Contractor.
 - RETAINING WALLS:
 - When required, retaining walls shall be provided by the Developer. Walls are required wherever grade rises more than 18 inches above the structure or 24" above the pad surface at a distance of 5 feet from the same, or in areas subject to erosion. Design and installation must comply with local building ordinances. Refer to Edison Inspector for typical slope requirements.
 - PERMITS:
 - All permits necessary for excavation shall be provided by the Contractor/Developer.
 - ACCESS:
 - Heavy truck access shall be maintained to equipment locations. Structures must be clear of all obstructions that would obstruct the loading or unloading of equipment.
 - SERVICES:
 - Meters and services shall comply with Edison Electrical Services Requirements.
 - Wiring must be in accordance with applicable local ordinances and approved by local Inspection Authorities.
 - LOCATION:
 - The location of excavations and structures for Edison shall be as shown on the working drawing. No deviation from the planned locations will be permitted unless approved by the Edison Inspector. See UGS GI 001, section 2.2.
 - Actual location of obstructions, storm drains, and/or other foreign utilities to be the responsibility of the Contractor. See UGS GI 001, section 2.3.
 - CONTRACTOR TO VERIFY LOCATION AND WIDTHS OF ALL SIDEWALKS AND DRIVEWAYS PRIOR TO STREET LIGHT INSTALLATION. SEE UGS CD 175.1, UGS CD 175.2 AND UGS CD 175.3.
 - SURVEY:
 - Surveying of street improvements, property corners, lot lines, finished grade, etc., necessary for the installation of underground facilities must be completed and markers or signs placed prior to the start of the installation. In addition, Developer shall maintain the markers during the installation and inspection by Edison. Grade and property line stakes must allow any offset measurements.
 - COORDINATION AND SUPERVISION:
 - The Developer shall provide supervision over and coordination among the various contractors working within the development in order to prevent damage to Edison facilities. He is responsible for the cost of repairs, replacement, relocation, or other corrections to Edison facilities made necessary by his failure to provide supervision or to otherwise comply with these specifications.
 - TELEPHONE AND OTHER UTILITY REQUIREMENTS:
 - The drawing prepared for this job may also cover the facilities to be installed for the telephone company and/or other utility. Any questions concerning details of their installation should be referred to the company concerned.
 - OWNERSHIP:
 - Developer is to deed to the Edison Company all structures shown herein except those shown as customer owned.
 - WARRANTY:
 - Applicants expressly represent and warrant that all work performed and all material used in meeting Applicant's obligations herein are free from defects in workmanship and are in conformity with Southern California Edison Company's requirements. This warranty shall commence upon receipt by Applicants of Company's final acceptance and shall expire one year from that date. Applicants agree to promptly correct to the Company's satisfaction and that of any governmental agency having jurisdiction and at Applicant's expense any breach of this warranty which may become apparent through inspection or operation of underground electric system by Company during this warranty period.
 - INSPECTION:
 - Inspection is required during the construction period. A 48 hour advance notice of intent to start construction is required from the contractor to the Southern California Edison Company. Standards of Edison construction requirements are available upon request.
- Duct and Structure Inspector: ROBERT STRAWN Phone: 909-592-3716
Cabling Construction Coordinator: RICK HERNANDEZ Phone: 909-592-3715
- D05: Rev. 07/21/16

LEGEND OF CONDUIT SYMBOLS
(CONVENTIONAL U. G.)



ANY OF THE ABOVE SYMBOLS FOLLOWED BY A * DENOTES THE FOLLOWING:

- DB CONDUIT WITHOUT ENCASUREMENT IS ACCEPTABLE FOR PORTIONS OF TRENCH WITH ONLY ONE OR TWO CONDUITS
- SEMI-ENCASUREMENT IS REQUIRED FOR PORTIONS OF TRENCH WITH ONLY THREE OR FOUR CONDUITS
- FULL ENCASUREMENT IS REQUIRED FOR MORE THAN FOUR CONDUITS

T.L.W. DATA: 706021E

SIZE	KVA	CUST	%LOAD
EXIST: 15	21.7	4	144.68%
PROP: 25	25.04	5	100%

WARNING
THE EXCAVATOR MUST TAKE ALL STEPS NECESSARY TO AVOID CONTACT WITH UNDERGROUND FACILITIES WHICH MAY RESULT IN INJURY TO PERSONS OR DAMAGE TO FACILITIES IN THE AREA. THE INDICATED LOCATIONS OF EDISON UNDERGROUND FACILITIES AS PROVIDED, ARE BELIEVED TO BE ACCURATE. HOWEVER, THE FINAL DETERMINATION OF EXACT LOCATIONS AND THE COST OF REPAIR TO DAMAGED FACILITIES IS THE RESPONSIBILITY OF THE EXCAVATOR.

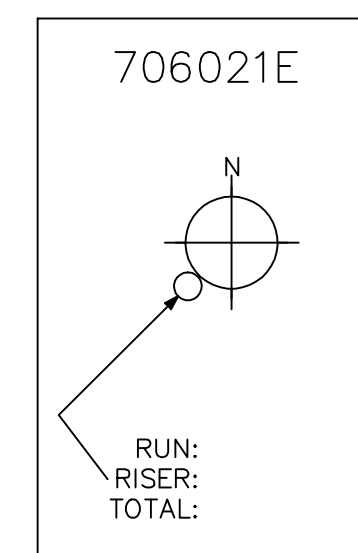
CUSTOMER-OWNED CONDUIT MATERIAL AND CONCRETE ENCASUREMENT ARE TO BE INSTALLED IN ACCORDANCE WITH EDISON ELECTRICAL SERVICE REQUIREMENTS.
*SUBJECT TO APPROVAL BY LOCAL INSPECTION AUTHORITIES

D14: Rev. 07/89

DUCT AND STRUCTURE INSPECTOR
NAME: ROBERT STRAWN
PHONE: 909-592-3716
CABLING CONSTRUCTION COORDINATOR
NAME: RICK HERNANDEZ
PHONE: 909-592-3764

UNDERGROUND SERVICE ALERT
Dial 811
Call USA
For Underground Locating
2 Working Days Before You Dig

FINAL DESIGN
APPROVED FOR CONSTRUCTION



NOTE:
ALL ELECTRICAL DUCTS AND STRUCTURES WILL CONFORM TO GENERAL ORDER #128 (RULES FOR CONSTRUCTION OF UNDERGROUND ELECTRICAL SUPPLY AND COMMUNICATION PRESCRIBED BY THE PUBLIC UTILITIES COMMISSION OF THE STATE OF CALIFORNIA, JANUARY 2006).

D18: Rev. 5/08/2006

D124: Rev. 04/19/16